



19, Gr.Floor,Shanta Industrial Premises Co-op Society Ltd, I.BPatel Road, Goregaon (East) Mumbai - 400063

Tel : 022-26858793 • Cell : 09821271748 • Telefax : 022-26852558

DAIRY BALL VALVE

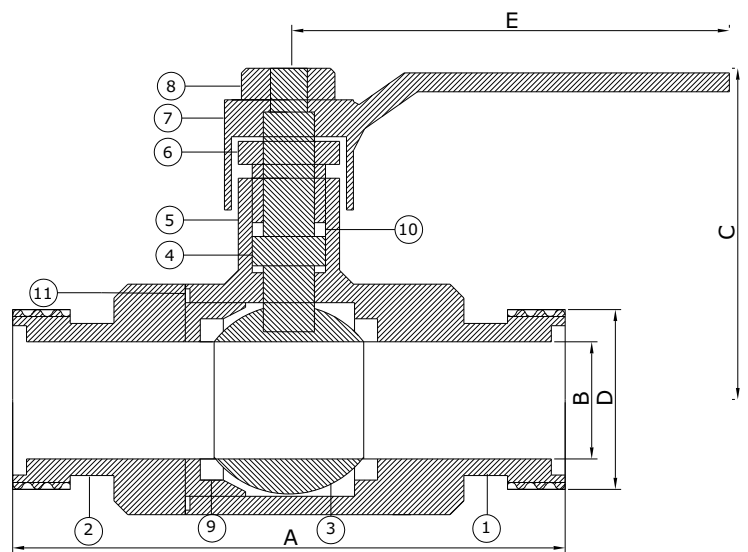
Salient Features and Specialities:

- + Positive shut off
- + Longer life
- + Quick in action
- + No lubrication
- + Visual on / off indication
- + Compact design
- + Corrosion resistant
- + Low pressure drop
- + Simplicity
- + Designs available in one piece / two piece / three piece
- + Available in both regular port & full port patterns



Size range : ½" to 4"

Sr. No.	NAME OF PARTS	MATERIAL
1	BODY	A.I.S.I 304 / 316
2	ADAPTOR	A.I.S.I 304 / 316
3	BALL	A.I.S.I 304 / 316
4	SPINDLE	A.I.S.I 304 / 316
5	BONNET	A.I.S.I. 304 / 316
6	GLANDNUT	A.I.S.I 304 / 316
7	HANDLE	S.S.
8	NUT	A.I.S.I. 304 / 316
9	SEAT	P.T.F.E.
10	SEAL	P.T.F.E.
11	BODY SEAL	P.T.F.E.



SIZE	A	B	C	D	E
25(R.B.)	115	19	68	39Ø(1"S.M.S.)	140
25(N.B.)	120	25	72	39.Ø(1"S.M.S.)	140
40(N.B.)	146	38	82	60.Ø(11/2"S.M.S)	180
50(N.B.)	150	50	92	70Ø(2" S.M.S.)	180